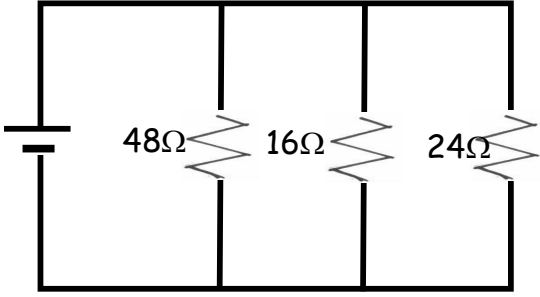
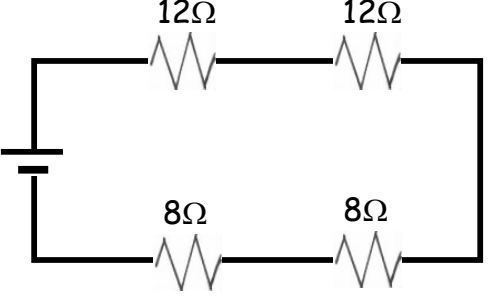
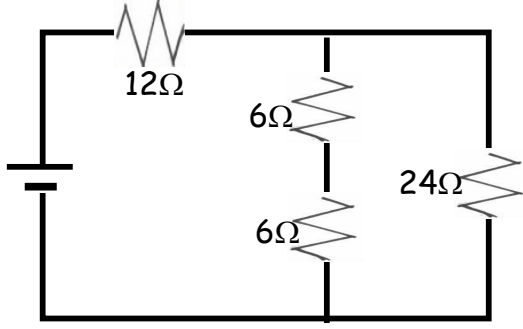
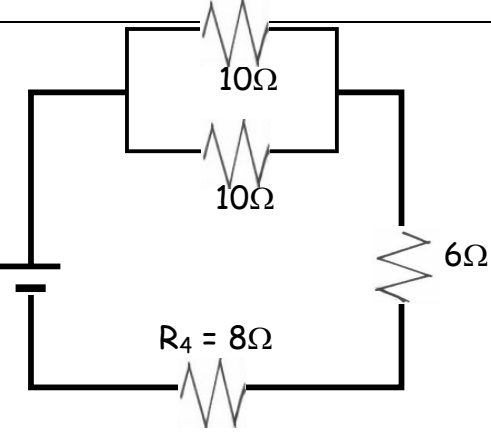
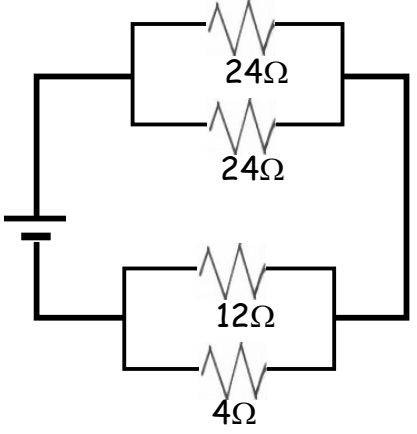
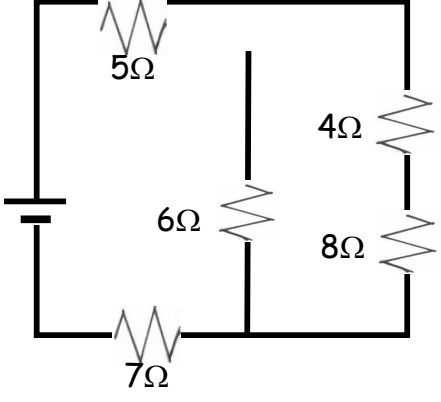


Calculate the total resistance of each circuit:

 <p style="text-align: center; margin-top: 20px;">$R_T = \underline{\hspace{2cm}}$</p>	 <p style="text-align: center; margin-top: 20px;">$R_T = \underline{\hspace{2cm}}$</p>
 <p style="text-align: center; margin-top: 20px;">$R_T = \underline{\hspace{2cm}}$</p>	 <p style="text-align: center; margin-top: 20px;">$R_T = \underline{\hspace{2cm}}$</p>
 <p style="text-align: center; margin-top: 20px;">$R_T = \underline{\hspace{2cm}}$</p>	 <p style="text-align: center; margin-top: 20px;">$R_T = \underline{\hspace{2cm}}$</p>