

Series circuit:

circuit diagram:

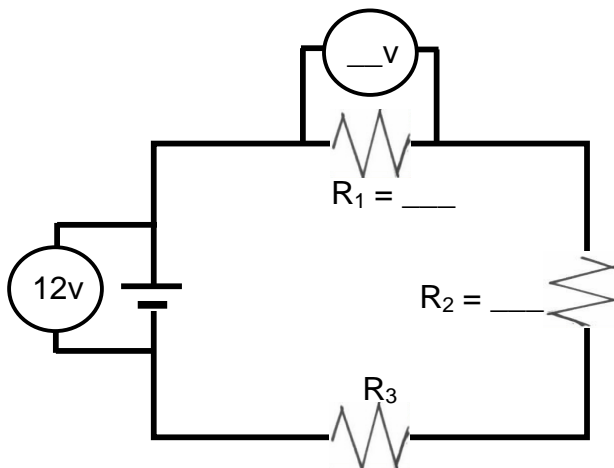
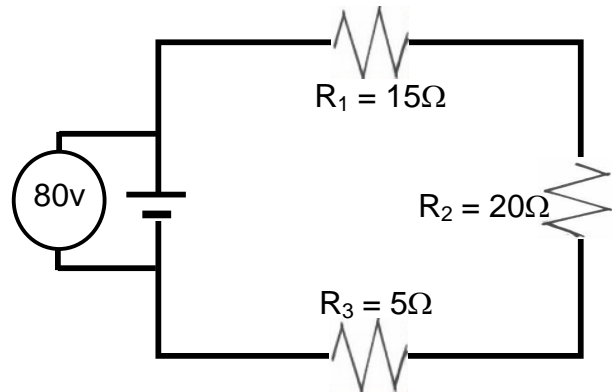
In a series circuit:

- Current -
Equation:
- Voltage -
Equation:
- Resistance -
Equation:

Ex Problem:

$R_T = \underline{\hspace{1cm}}$ $V_T = \underline{\hspace{1cm}}$ $I_T = \underline{\hspace{1cm}}$

$V_1 = \underline{\hspace{1cm}}$ $V_2 = \underline{\hspace{1cm}}$ $V_3 = \underline{\hspace{1cm}}$



Problem Set #3

$I_1 = \underline{\hspace{1cm}}$ $I_2 = \underline{\hspace{1cm}}$ $I_3 = \underline{\hspace{1cm}}$

$V_2 = \underline{\hspace{1cm}}$ $V_3 = \underline{\hspace{1cm}}$ $R_3 = \underline{\hspace{1cm}}$