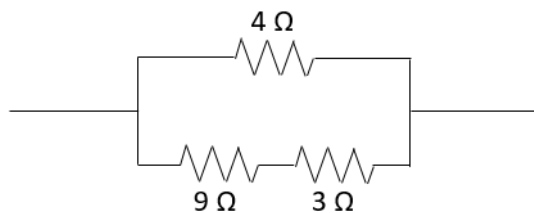


Work each of the following problems. SHOW ALL WORK.

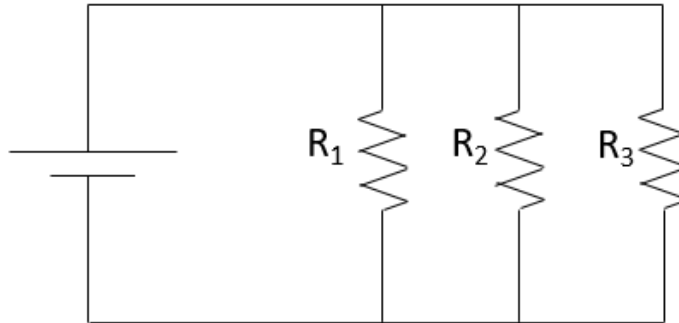
1. Three $6\ \Omega$ resistors are wired in parallel together. What is the equivalent resistance of these three resistors?

2. What is the equivalent resistance between the two terminals in the diagram below?



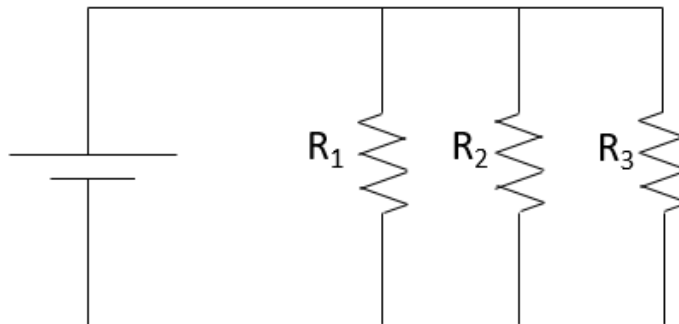
Work each of the following problems. SHOW ALL WORK.

3. Complete the V I R chart for the circuit below:



	V (V)	I (A)	R (Ω)
Resistor 1			2
Resistor 2			3
Resistor 3			4
Total	9		

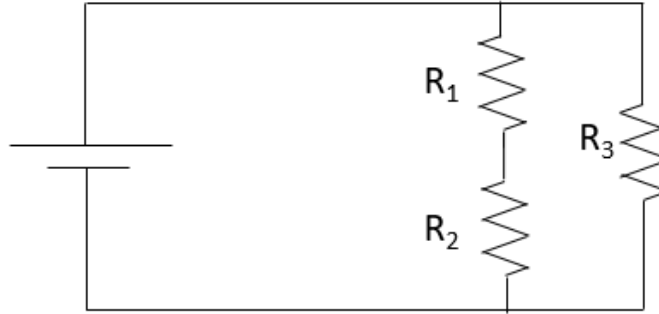
4. Complete the V I R chart for the circuit below:



	V (V)	I (A)	R (Ω)
Resistor 1			2
Resistor 2	6		
Resistor 3			3
Total		6	

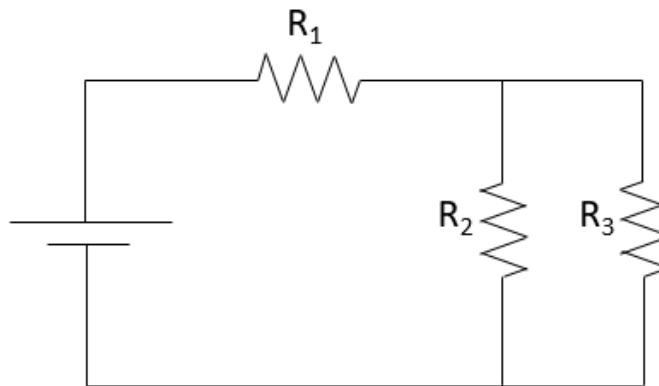
Work each of the following problems. SHOW ALL WORK.

5. Complete the V I R chart for the circuit below:



	V (V)	I (A)	R (Ω)
Resistor 1			1
Resistor 2		3	2
Resistor 3			
Total		4	

6. Complete the V I R chart for the circuit below:



	V (V)	I (A)	R (Ω)
Resistor 1			4
Resistor 2		0.5	
Resistor 3		1.5	
Total	12	2	